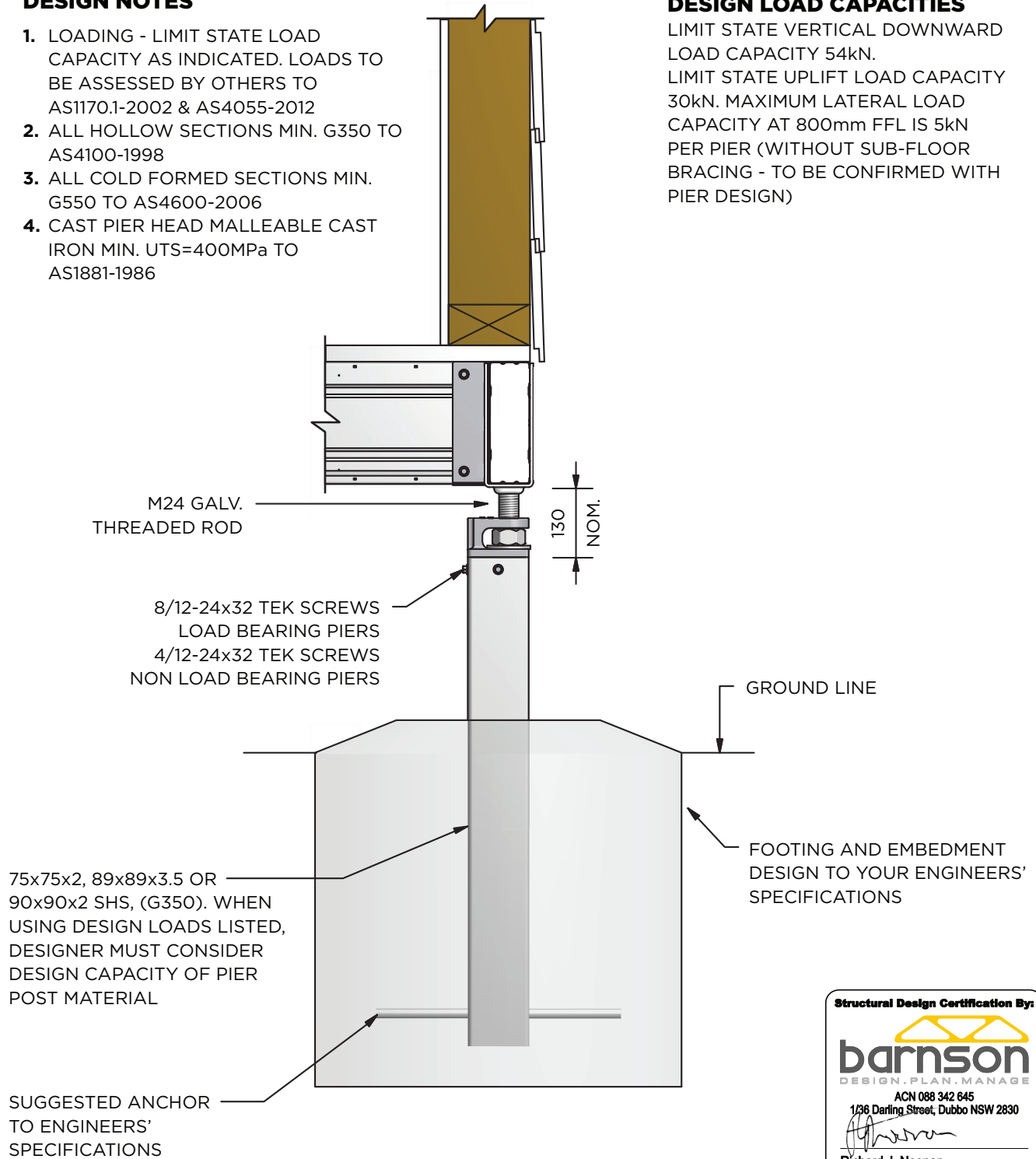


DESIGN NOTES

1. LOADING - LIMIT STATE LOAD CAPACITY AS INDICATED. LOADS TO BE ASSESSED BY OTHERS TO AS1170.1-2002 & AS4055-2012
2. ALL HOLLOW SECTIONS MIN. G350 TO AS4100-1998
3. ALL COLD FORMED SECTIONS MIN. G550 TO AS4600-2006
4. CAST PIER HEAD MALLEABLE CAST IRON MIN. UTS=400MPa TO AS1881-1986

DESIGN LOAD CAPACITIES

LIMIT STATE VERTICAL DOWNWARD LOAD CAPACITY 54kN.
LIMIT STATE UPLIFT LOAD CAPACITY 30kN. MAXIMUM LATERAL LOAD CAPACITY AT 800mm FFL IS 5kN PER PIER (WITHOUT SUB-FLOOR BRACING - TO BE CONFIRMED WITH PIER DESIGN)



Structural Design Certification By:

DESIGN . PLAN . MANAGE
ACN 088 342 645
136 Darling Street, Dubbo NSW 2830

Richard J. Noonan
Richard J. Noonan
BE(Hons)ME MIEAust CPEng
NPER 472690, RPEQ 5264,
VIC EC2249, NT 11585ES,

Date: 18-09-2014
Reference No: 20727