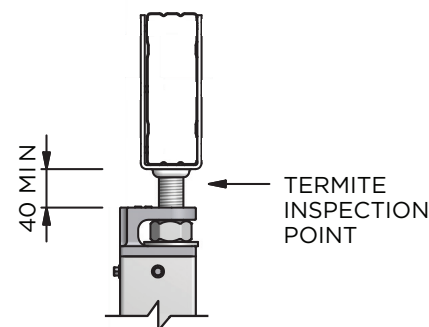


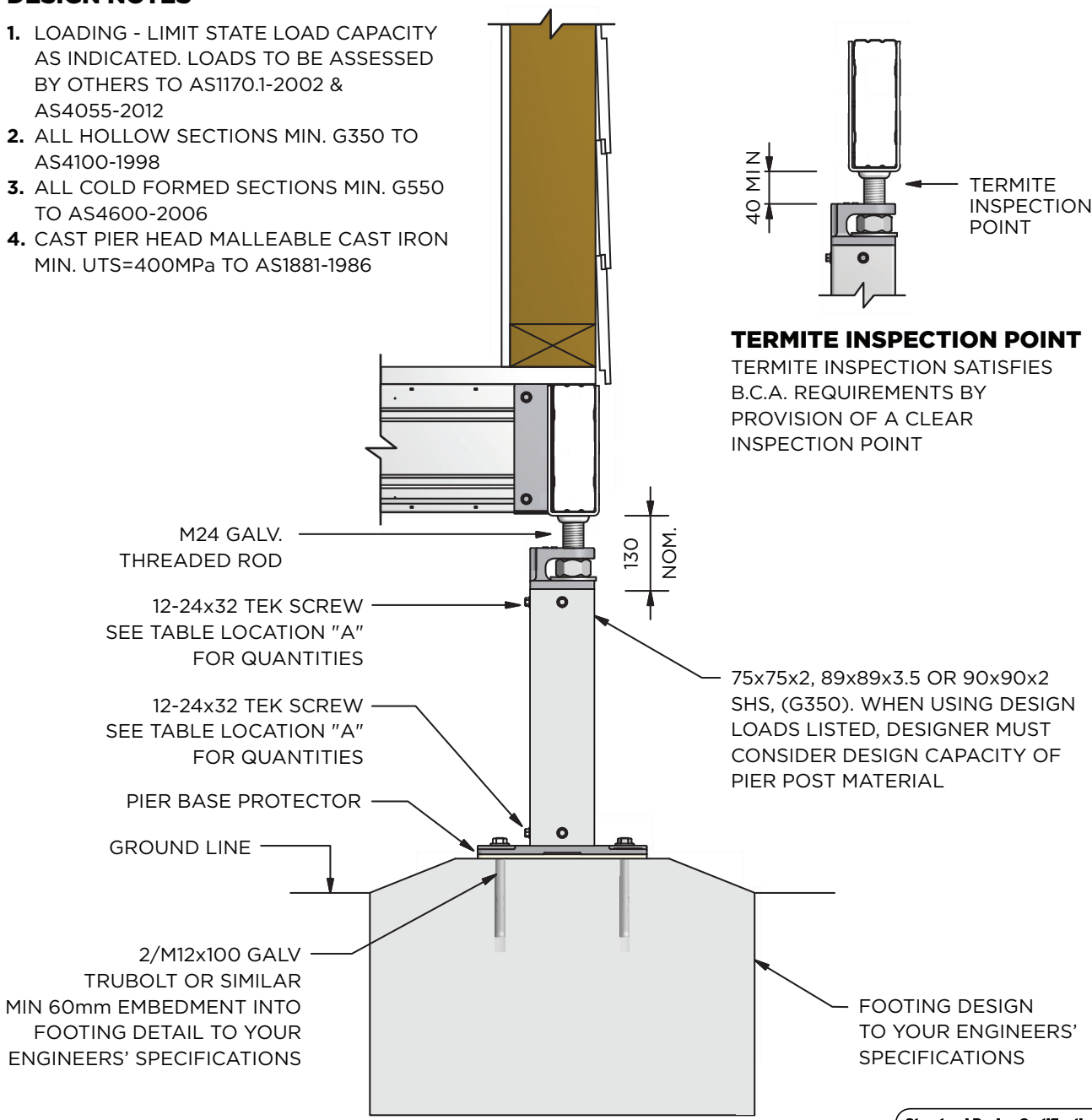
DESIGN NOTES

1. LOADING - LIMIT STATE LOAD CAPACITY AS INDICATED. LOADS TO BE ASSESSED BY OTHERS TO AS1170.1-2002 & AS4055-2012
2. ALL HOLLOW SECTIONS MIN. G350 TO AS4100-1998
3. ALL COLD FORMED SECTIONS MIN. G550 TO AS4600-2006
4. CAST PIER HEAD MALLEABLE CAST IRON MIN. UTS=400MPa TO AS1881-1986



TERMITE INSPECTION POINT

TERMITE INSPECTION SATISFIES B.C.A. REQUIREMENTS BY PROVISION OF A CLEAR INSPECTION POINT



DESIGN LOAD CAPACITIES

LIMIT STATE VERTICAL DOWNWARD LOAD CAPACITY 54kN
LIMIT STATE MAXIMUM UPLIFT LOAD CAPACITY 27kN

TEK SCREW QTY LOCATION "A"	MAX UPLIFT CAPACITY kN
6	27.0
4	19.2
4	16.2
3	10.8
2	9.6

Structural Design Certification By:

DESIGN. PLAN. MANAGE
ACN 088 342 645
136 Darling Street, Dubbo NSW 2830

Richard J. Noonan
Richard J. Noonan
BE(Hons)ME MIEAust CPEng
NPER 472690, RPEQ 5264,
VIC EC2249, NT 11585ES,

Date: 18-09-2014
Reference No: 20727