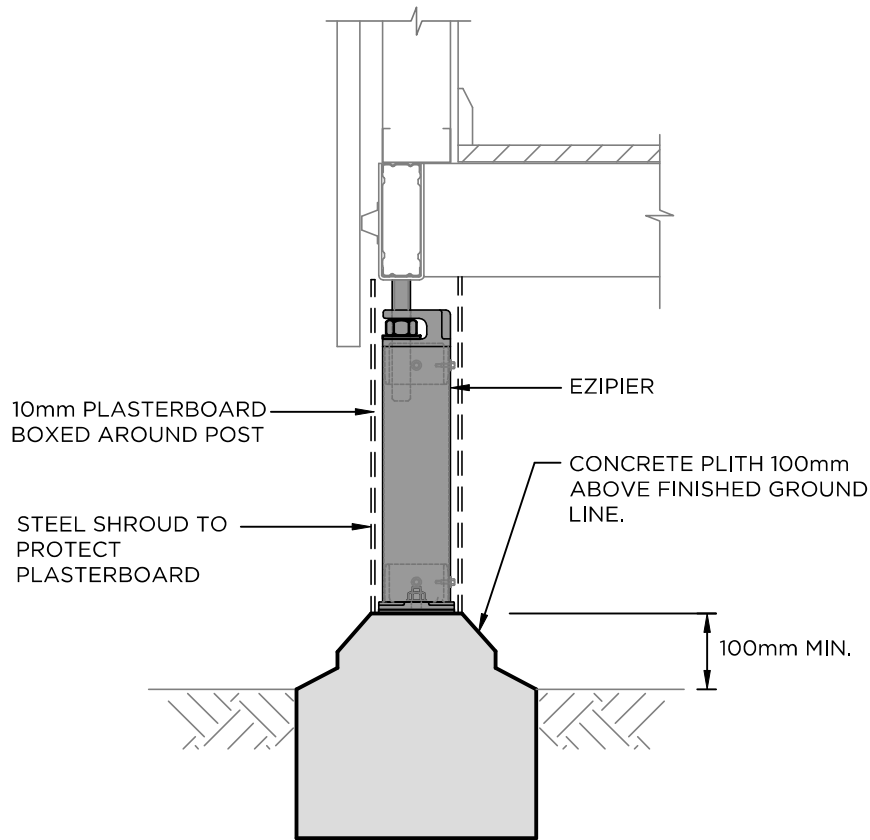
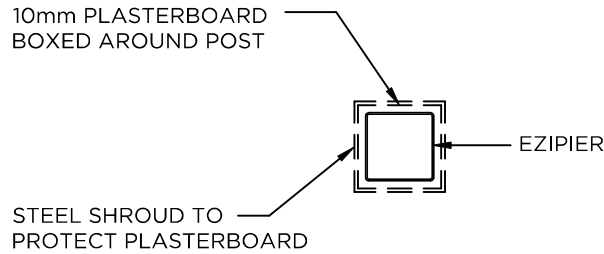


BAL-FZ



EZIPIER SYSTEM WITH THERMAL BARRIER

OPTION 4: WATER RESISTANT PLASTERBOARD SHEET ENCLOSING PIER

TO BE READ IN CONJUNCTION WITH THE FOLLOWING STANDARDS & WEBSITE:
 ● NASH STANDARD STEEL FRAMED CONSTRUCTION IN BUSHFIRE AREAS ● AUSTRALIAN STANDARD AS 3959-2009.
www.spantec.com.au/solutions/building-in-bushfire-prone-areas

SPANTEC <small>SPANTEC SYSTEMS Pty Ltd ABN 56 053 584 384</small> <small>17 Drapers Road Braemar NSW 2575 PO Box 81 Mittagong NSW 2575 Australia Phone 02 4860 1000 Fax 02 4872 1616 www.spantec.com.au</small>	DATE DRAWN 16.05.10	DWG FILE	JOB DETAILS BOXSPAN STEEL FLOOR FRAMING FOR BUILDING IN BUSHFIRE PRONE AREAS	DESIGNED JPD	JOB REFERENCE Fig 6 A4
	SCALE 1:10	VIEW NAME	REVISION A		